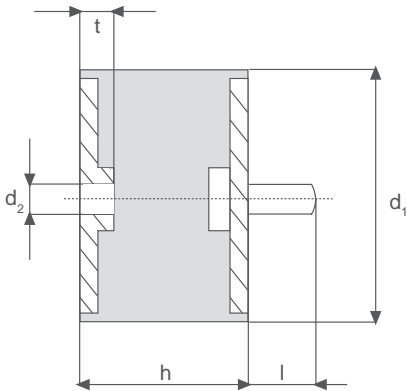


Gummi-Metall-Element, zylindrisch mit Innengewinde & Gewindebolzen Rubber-to-metal element, cylindrical with internal thread & threaded bolt



Artikel - Nr. Article - No.	d ₁ (mm)	h (mm)	d ₂ (mm)	t (mm)	l (mm)
GB-008x008	8	8	M3	6	6
GB-010x010	10	10	M4	4	10
GB-010x015	10	15	M4	4	10
GB-015x015	15	15	M4	6	10
GB-015x020	15	20	M4	5	10
GB-015x030	15	30	M4	4	15
GB-020x015	20	15	M6	6	18
GB-020x020	20	20	M6	6	18
GB-020x025	20	25	M6	6	18
GB-025x015	25	15	M6	6	18
GB-025x020	25	20	M6	6	18
GB-025x025	25	25	M6	6	18
GB-025x030	25	30	M6	6	18
GB-030x015	30	15	M8	8	21
GB-030x020	30	20	M8	8	20
GB-030x025	30	25	M8	8	20
GB-030x030	30	30	M8	8	20
GB-030x040	30	40	M8	8	20
GB-040x025	40	25	M8	8	23
GB-040x030	40	30	M8	8	23
GB-040x040	40	40	M8	8	23
GB-050x020	50	20	M10	10	28
GB-050x025	50	25	M10	10	28
GB-050x030	50	30	M10	10	28
GB-050x040	50	40	M10	10	28
GB-050x045	50	45	M10	10	28
GB-050x050	50	50	M10	10	28
GB-060x040	60	40	M10	10	28
GB-070x045	70	45	M10	10	28
GB-075x025	75	25	M12	12	37
GB-075x040	75	40	M12	12	37
GB-075x055	75	55	M12	12	41
GB-100x040	100	40	M16	16	41
GB-100x050	100	50	M16	16	41
GB-100x060	100	60	M16	16	41
GB-100x075	100	75	M16	16	41
GB-150x050	150	50	M16	16	41
GB-150x075	150	75	M16	16	41

Gummiwerkstoff: NR 55° Shore A (mittel), auch in Härten von 40° - 85° in 5° Schritten lieferbar
 Metalle: Stahl verzinkt
 Rubber material: NR 55° Shore A (medium), also available in 40° - 85° Shore (steps of 5°)
 Metal parts: galvanised steel